



Bladder Bags

VacPAC



FEATURES

- Variety of material options available for asbestos, high heat materials, powders and odorous materials
- Can be lined with different barrier materials for wet waste streams
- Can be custom designed to meet your needs
- Spouted VacPac bag is loaded via ports by vacuum process or gravity feed systems

BENEFITS

- Quick and easy installation
- Requires minimal storage
- Saves on labor
- Fast filling speed
- Reduces worker exposure
- Reduces cleanout costs
- Prevents discharge of airborne dust

3 oz. Coated Woven Polypropylene

Properties	Test Method	Value
Thickness		11 mil minimum
Weight	ASTM D 1910	3.7 oz/yd ²
Tensile Strength Warp	ASTM D 4623	140 lbs
Tensile Strength Weft	ASTM D 4623	132 lbs
Puncture	ASTM D 4833	69 lbs
UV Resistance	ASTM D 4355	>70% @ 1200 hrs

6 oz. Coated Woven Polypropylene

Properties	Test Method	Value
Coating		1.5 Mil, one side
Weight		7.5 oz/yd ² coated
Thickness		20 Mil
Color		White
Warp Grab	ASTM D 5034-90	370 lbs
Weft Grab	ASTM D 5034-90	380 lbs
Warp Tear	ASTM D 2261-83	170 lbs
Weft Tear	ASTM D 2261-83	160 lbs
Mullen Burst	ASTM D 3786-87	800 psi
Puncture	ASTM D 4833	106 lbs
Accelerated UV Weathering	ASTM G53	>70% @ 1200 hrs

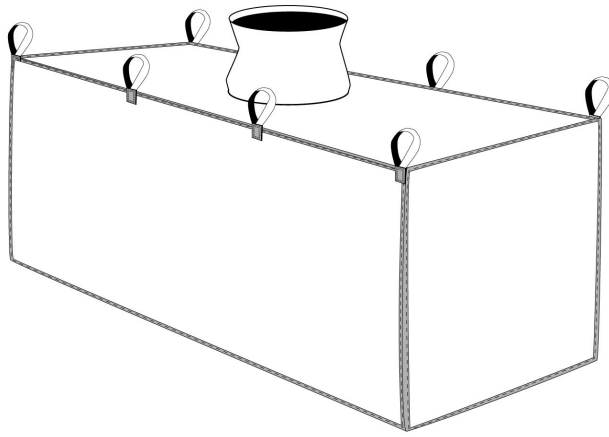
6 & 10 Mil Polyethylene

	6 MIL	10 MIL
Elongation (MD)	883%	1065%
Elongation (TD)	859%	1100%
Tensile (MD)	3502psi	3660psi
Tensile (TD)	2937psi	3065psi
Melt Point	226.7/253.1	226.7/253.1
Drop Dart Test	min 270	min 475

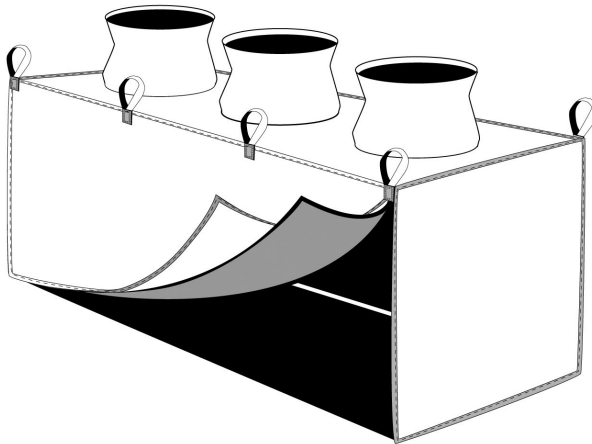
This product is manufactured for the sole purpose described in this spec sheet. The buyer or user of this product is solely responsible for determining whether this product is suitable for any intended use and for its proper installation.

VacPac bladder bags are used in waste containers to contain specialized dry and wet waste streams. They can be loaded by vac loaders, gravity feed systems, front-end loaders, or by any means available. The VacPac installs quickly and easily, requires minimal storage, saves on labor, reduces worker exposure, reduces cleanout costs, fills quickly, and prevents discharge of airborne dust. It can be customized to meet your specific needs.

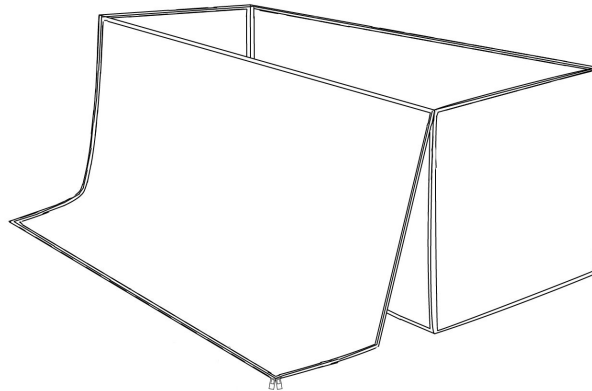
**Standard
Single
Spout**



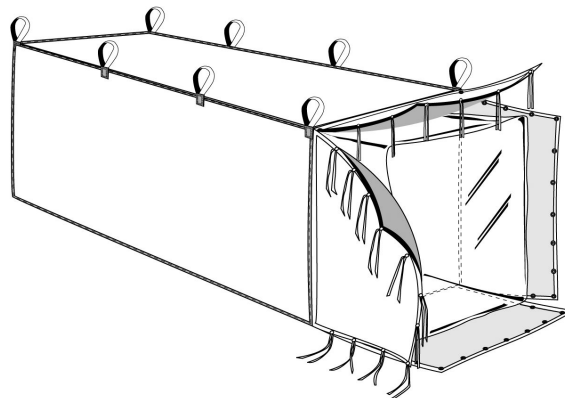
**Triple Spout
Lined
Bag**



**Zipper Top
Bag**



**Bread
Bag**





Single Spouted



Zipper Top



4 Spout Lined